

# OUTDOOR UNIT BRANCH PIPE INSTALLATION

MDV081-035aW  
202000171082

Thank you very much for purchasing our air conditioner, Before using your air conditioner, please read this manual carefully and keep it for future reference.

## BRANCH LIST

Table.1

Name	Gas side joints	Liquid side joints	Converter pipe (gas pipe used)	Converter pipe (liquid pipe used)	Mounting	Gas balance joint	Oil balance joint
MDV-AY01							
MDV-AY02							
FQZHW-02T							
FQZHW-03T							
FQZHW-04T							

Note: MDV-AY01 and MDV-AY02 can not be used individually, which must be cooperate with FQZHW-02T or FQZHW-03T. FQZHW-03T=FQZHW-02T+MDV-AY01; FQZHW-04T=MDV-AY02×4.

## CHOICE

Branch pipes for outdoor unit Table.2

Quantity of outdoor units	Branch pipe
2	FQZHW-02T
3	FQZHW-03T
4	FQZHW-04T

## PIPE SIZE

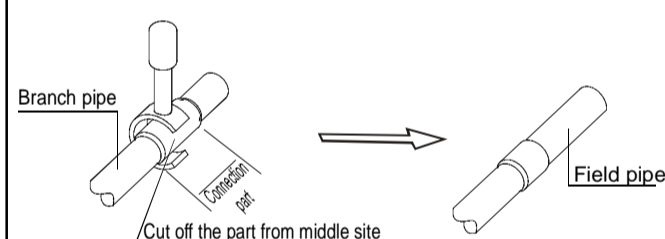
Size of parallel pipes for outdoor unit Table.3

Capacity of outdoor units	Gas side (mm)	Liquid side (mm)
8_12HP	Φ28.6	Φ12.7
14_16HP	Φ38.1	Φ15.9
18_24HP	Φ38.1	Φ19.1
26_32HP	Φ44.5	Φ22.2
34_48HP	Φ54.0	Φ25.4
50_64HP	Φ66.7	Φ28.6

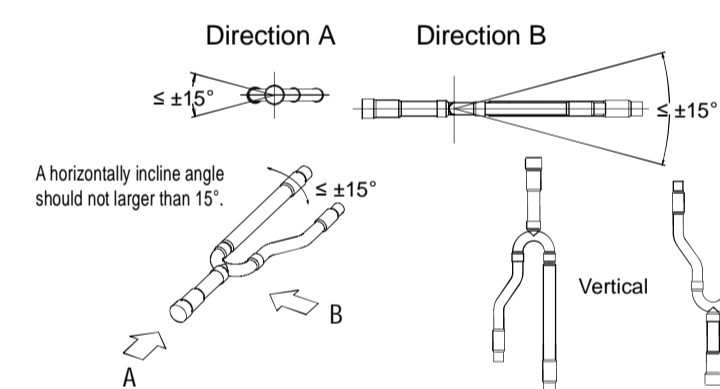
Size of main pipes Table.4

Capacity of outdoor units	Gas side (mm)	Liquid side (mm)
8/10/12HP	Φ28.6	Φ12.7
14/16HP	Φ34.9	Φ15.9
18/20/22HP	Φ34.9	Φ19.1
24HP	Φ41.3	Φ19.1
26_34HP	Φ41.3	Φ22.2
36_48HP	Φ54.0	Φ22.2
50_64HP	Φ63.5	Φ25.4

## INCISION



## HORIZONTALLY OR VERTICALLY PLACING BRANCH PIPE



## APPEARANCE AND CONNECTION SKETCH OF FQZHW-02T

